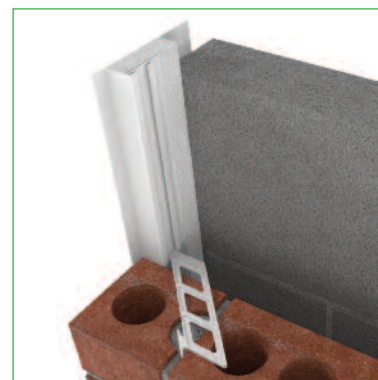
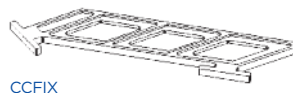
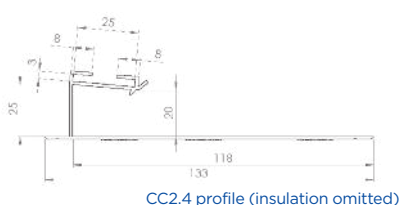




Thermo-loc standard cavity closers

Universal closers for eliminating damp and 'cold bridging' around doors, windows and sills



Use

- To close the cavity at external doors, window jambs and sills
- To provide thermal insulation and prevent 'cold bridging'
- To provide a DPC at external doors, window jambs or sills

Features and benefits

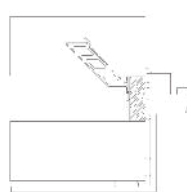
- Provides an effective DPC and thermal barrier between frame, inner and outer wall leaf
- Thermal conductivity of 0.038W/mk
- Exceeds the minimum thermal resistance path of 0.45m²K/W stipulated in Robust Details 'limited thermal bridging and air leakage'
- Rigid profile extrusion allows both first and second fix
- Components available to make up 'on-site' frame formers
- Suitable for all frame and sill positions (see fig.1)
- Durable and resistant to decay
- Simple on-site trimming to cope with 'rogue' cavity widths
- Global warming potential of less than 5
- Ozone depletion potential of zero

Quality

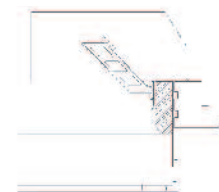
- LABC Registered Detail
- Satisfies NHBC Standards
- Manufactured to BS EN ISO 9001 and BS EN ISO 14001
- Complies with Building Regulation Approved Documents C (2004 edition), L1 & L2 (2013 editions)
- Complies with Robust Details 'limited thermal bridging and air leakage'
- Satisfies BRE document 'Thermal insulation: avoiding risks'
- Meets all relevant British Standards

Material and colour choice

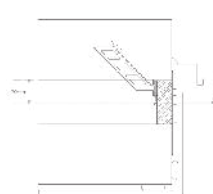
- Rigid profile extruded in white UPVC
- Supplied in 2.4 metre lengths
- Standard cavity options available 50mm - 150mm
- Expanded Polystyrene insulation 0.038W/mk
- Wider cavities available to special order



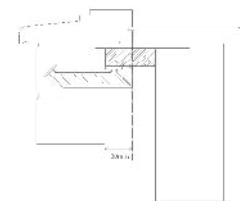
Flush jamb



Fully rebated (check reveal)



Staggered jamb



Sill detail

Fig.1

Installation advice

- Can be used in both first and second fix applications
- Cut the cavity closer into required lengths allowing the jamb section to overlap the sill section and to butt the underside of the lintel
- In first fix application the cavity closer should be nailed to the jamb/sill of the door or window frame and the whole assembly built in as work proceeds. Alternatively the closer can be built in sections using fixing ties as work proceeds or pre built to act as an opening former by using a timber brace (see fig.2a) and corner forms (see fig.2b)
- For second fix applications, the cavity closer is pushed into the open cavity after building work is complete. The compressible nature of the exposed insulation material is used to create a friction fit in the cavity, or alternatively the insulation can be trimmed to fit using a sharp knife
- Joining 'off cut' sections should be kept to a minimum and not carried out to sill sections. Sections are joined by mitre cutting the closer profile to allow the downward cut to run away from the jamb. Insulation should be extended from the lower closer profile to allow this to slot into the upper profile to maintain a rigid section. All overlaps to be tape sealed



Thermo-loc standard cavity closers

Universal closers for eliminating damp and 'cold bridging' around doors, windows and sills

Page 2 of 2

Cavity closers for fully rebated/check reveals also available

How to order

- Establish the cavity width and select the correct cavity closer width, or the next size up to ensure the cavity can be closed
- In jamb and sill applications, first estimate the total length of cavity closer required, then order the correct number of individual 2.4 metre lengths so no joint pieces
- To use as window formers allow two CCFORM's per opening to support closer in lower corners
- Fixing ties are available for secure fixing if required (particular attention around door openings). Allow for ties fitted at 450mm centres

Bill of quantity

n55Plus

F30 Accessories/sundry items for brick/block/stone walling

Clause

180 CAVITY CLOSURES FOR CLOSING AROUND WINDOW & DOOR OPENINGS
To extend not less than 150mm beyond ends of lintels/bridgings.

• Manufacturer: **Timloc Building Products, Timloc House, Ozone Park, Howden, East Yorkshire, DN14 7SD. Tel: 01405 765567, Fax: 01405 720479. Web: www.timloc.co.uk**

• Reference.....eg. CC2.4 EPS/75 (Thermo-loc Cavity Closer, Expanded Polystyrene, 2.4m, 75mm cavity)

• Accessories: Fixing ties available, 6 No. per 2.4m cavity closer & corner forms for making opening formers. Jointing tape available.

Product codes

Thermo-loc standard cavity closers

| Description | Cavity width | Length | Product code |
|--------------------------|--------------|--------|-------------------|
| Thermo-loc EPS | 50mm | 2.4m | CC2.4 EPS/50 |
| Thermo-loc EPS | 75mm | 2.4m | CC2.4 EPS/75 |
| Thermo-loc EPS | 90mm | 2.4m | CC2.4 EPS/90 |
| Thermo-loc EPS | 100mm | 2.4m | CC2.4 EPS/100 |
| Thermo-loc EPS | 125mm | 2.4m | CC2.4 EPS/125 |
| Thermo-loc EPS | 150mm | 2.4m | CC2.4 EPS/150 |
| Thermo-loc corner form | 50mm | 175mm | CCFORM/50 |
| Thermo-loc corner form | 75mm | 175mm | CCFORM/75 |
| Thermo-loc corner form | 90mm | 175mm | CCFORM/90 |
| Thermo-loc corner form | 100mm | 175mm | CCFORM/100 |
| Fixing tie (pack of 30) | - | - | CCFIX30 |
| Fixing tie (pack of 100) | - | - | CCFIX100 |
| Thermo-loc EPS Multi | 50-100mm | 2.4m | CC2.4EPS/MULTI |
| Thermo-loc EPS Multi | 100-150mm | 2.4m | CC2.4EPS/MULTI150 |

Insulation type

Standard Expanded Polystyrene (EPS)

Thermal conductivity

0.038W/mK

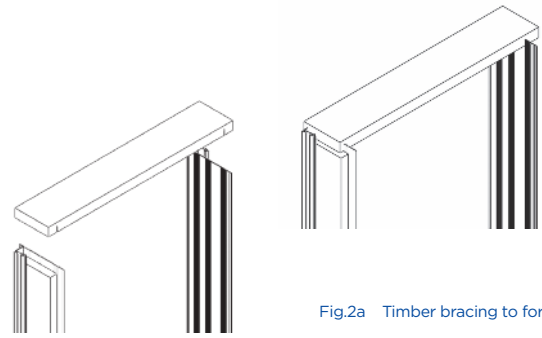


Fig.2a Timber bracing to former

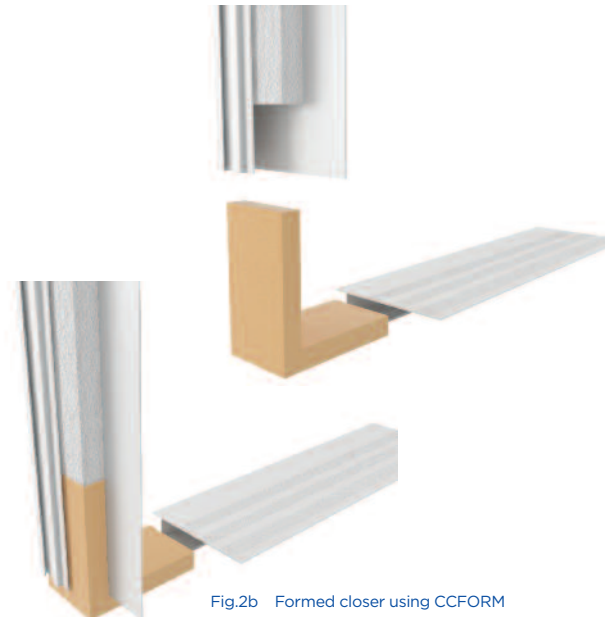


Fig.2b Formed closer using CCFORM

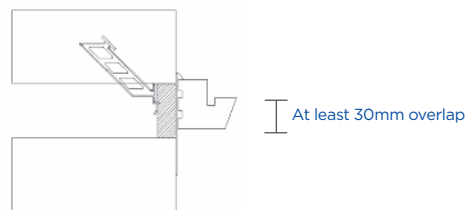


Fig.3

Technical considerations

- BRE Document 'Thermal insulation: avoiding risks' and Robust Details stipulate: "When a window or door frame is set back behind the inner face of a dense outer masonry leaf, it should overlap an insulated closer by a minimum of 30mm for BRE exposure zones Sheltered to Severe; but fully rebated (check reveals) for zones Very Severe" (see fig.3)
- With reference to insulation, the products in this range do not use, contain or produce Urea Formaldehyde, CFC's or indeed any of the so called soft CFC's, ie. HCFC's & HFA's. They have an ozone depletion potential of zero and global warming potential of less than 5