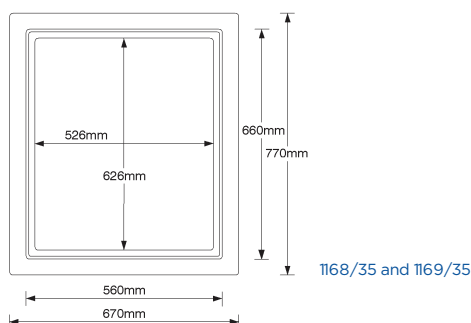




0.35U and 0.25U value loft access doors

Higher insulation versions of standard loft access doors



Use

- To provide simple, easy access through ceiling into the loft space when following the advice given in the robust details

Features and benefits

- Offers insulation U value of 0.35W/m²k and 0.25W/m²k
- Purpose made product saves time and money compared with traditional joiner-made timber loft access doors
- Excellent aesthetic appearance and factory finished
- Insulated door panel with integral draught/vapour seal
- Incorporates twist operated catches to secure the door panel
- Maintenance free, no need to paint
- Hinge design available for use of a telescopic loft ladder

Quality

- Complies with Building Reg. document L1A & L2A (2013 Edition)
- Satisfies Robust Details
- Manufactured to BS EN ISO 9001 and BS EN ISO 14001
- Meets all relevant British Standards and NHBC requirements

Material and colour choice

- Insulation is CFC free low lambda expanded polystyrene

Products in the system

All Timloc loft access doors are available with increased insulation to offer 0.35U value or 0.25U value

Product 1168/35 or 1168/25

Product 1169/35 or 1169/25

Product 1169/35 or 1169/25 Keylock

Product 1160/35

Product 1161/35

Installation advice

- The product is designed to fit between 38mm thick trussed rafters or ceiling joists spaced at 600mm centres which provide a clear joist opening width of 562mm or 542mm
- If the roof design does not provide this joist opening width, a suitable opening must be formed
- Trimmers must be installed across the ends of the frame. These should be spaced to give a clear opening length of 630mm, 662mm, 665mm or 745mm
- The frame fixes with ten screws, three through each side and two through each end
- Fit the loft access door after the ceiling has been plaster boarded and skimmed
- The frame must be a good fit into the trimmed opening. Never force it into an opening that is too small. If the opening is too large use packers to ensure a good fit

0.35U or 0.25U value hinged loft access doors

Bill of quantity

L20 Doors/Shutters/Hatches

Clause

630[^] HATCHES

- Manufacturer: **Timloc Building Products, Rawcliffe Road, Goole, East Yorkshire, DN14 6UQ. Tel: 01405 765567, Fax: 01405 720479. Web: www.timloc.co.uk**
- Product reference: **1169/35 or 1169/25**
- Type: **Loft Access Door (Hinged) 562mm x 662mm joist fitting**
- Specification: **0.35U or 0.25U value insulated and draught stripped**
- Colour: **Textured White Polypropylene**

NBSPlus

0.35U or 0.25U value drop-in loft access doors

Bill of quantity

L20 Doors/Shutters/Hatches

Clause

630[^] HATCHES

- Manufacturer: **Timloc Building Products, Rawcliffe Road, Goole, East Yorkshire, DN14 6UQ. Tel: 01405 765567, Fax: 01405 720479. Web: www.timloc.co.uk**
- Product reference: **1168/35 or 1168/25**
- Type: **Loft Access Door (Drop in) 562mm x 665mm joist fitting**
- Specification: **0.35U or 0.25U value insulated and draught stripped**
- Colour: **Textured White Polypropylene**

NBSPlus

Product codes

0.35U or 0.25U value loft access doors - hinge options

Description	Frame fitting size required	Clear opening size	Product code
Zero air leakage* hinged door	562mm x 662mm	526mm x 626mm	1169/35 or 1169/25
Zero air leakage* hinged door with keylock	562mm x 662mm	526mm x 626mm	1169/35 keylock or 1169/25Keylock

0.35U or 0.25U value loft access doors - drop in option

Description	Frame fitting size required	Clear opening size	Product code
Drop-in-door	562mm x 665mm	526mm x 626mm	1168/35 or 1168/25

0.35U or 0.25U value loft access doors - fire rated options

Description	Frame fitting size required	Clear opening size	Product code
Hinged door	542mm x 745mm	520mm x 695mm	1160/35
Hinged door	542mm x 630mm	520mm x 580mm	1161/35

* Air permeability measured at 50Pa as 0.00m² under positive test conditions

Technical considerations

- Timloc loft access doors comply with the most recent Building Regulations; 'THE BUILDING REGULATIONS 'Conservation of fuel and power' APPROVED DOCUMENT L1A & L2A (2013 Edition)
- 0.35U and 0.25U value loft access doors - BRE testing demonstrates full compliance with Building Regulation part L1A & L2A with zero - 0.00m³/(h.m²) air leakage at positive 50Pa for Timloc 1169/35 or 1169/25 loft access door, while fully complying with BS5250 : 2011 the code of practice for control of condensation in buildings
- Timloc 0.35 and 0.25 range will meet the advice given within the Robust Details
- With reference to insulation, the products in this range do not use, contain or produce Urea Formaldehyde, CFC's or indeed any of the so called soft CFC's, ie. HCFC's & HFA's. They have an ozone depletion potential of zero and Global Warming Potential of less than 5