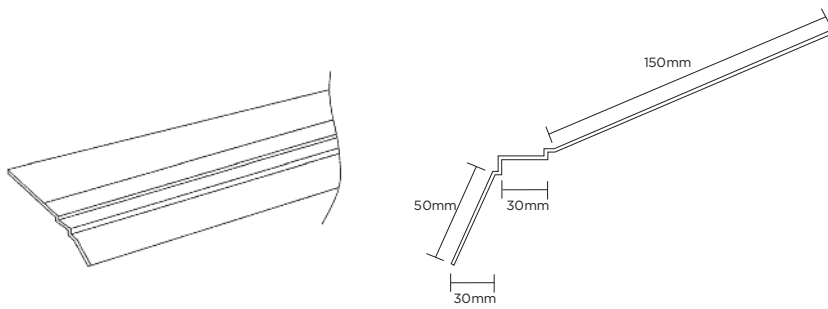




Eaves vent protector

Designed to prevent damage to roofing felt



Use

- At the eaves of a roof to support and protect roofing felt
- For remedial work to replace worn or perished roofing felt

Features and benefits

- Effective, quick and easy to fit
- Improves performance of other roofing materials
- Ideal for remedial work
- Durable and totally resistant to decay
- Supplied in convenient 1.5m lengths

Quality

- Satisfies all NHBC requirements
- Manufactured to BS EN ISO 9001 and BS EN ISO 14001
- Complies with all relevant Building Regulations
- Meets all relevant British Standards

Material and colour choice

- Extruded in UPVC
- Available in black/dark grey

Installation advice

- Fit on the top of the fascia board below roofing felt, allowing a 150mm overlap where pieces join
- Secure with clout nails and fold back the rear flap to rest on the rafters

How to order

- Measure the overall length of the eaves to be protected and divide by 1.35m to determine the number of protectors required

Bill of quantity

NBSPlus

G20 Carpentry/Timber Framing/First Fixing

Clause

900° EAVES SOFFIT VENTILATORS

- Manufacturer: **Timloc Building Products, Rawcliffe Road, Goole, East Yorkshire, DN14 6UG. Tel: 01405 765567, Fax: 01405 720479. Web: www.timloc.co.uk**
- Product Reference: **3017**
- Type: **Eaves Protector (1500mm)**
- Colour: **Black**

Product code

Eaves vent protector

Length	Product code
1.5m	3017