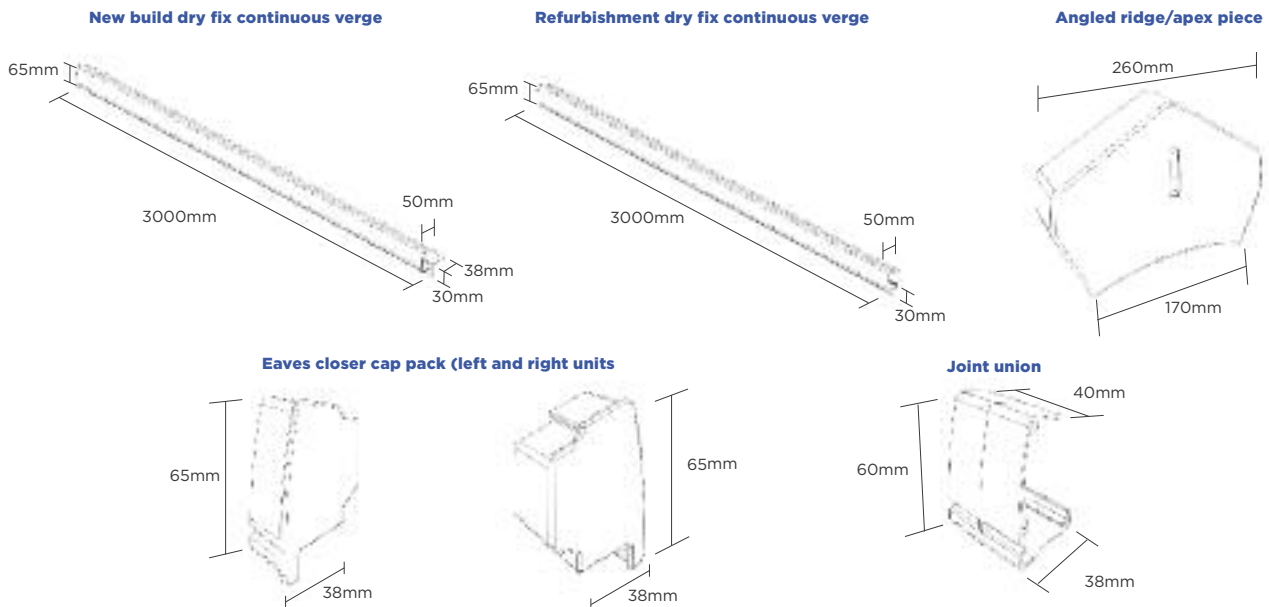




Dry Fix Continuous Verge System for Slate and Flat Tiles

A continuous verge system that presents a clean flush finish and an effective and virtually maintenance free alternative to wet mortar bedding.



Use

- Slate and tile thickness between 5 and 13mm
 - slate and slate effect tiles
 - interlocking plain tiles
 - flat interlocking concrete tiles
- Most pitched roof types from 15-55°
- Verges with or without bargeboards
- Most roof types and configurations
- New build and refurbishment projects

Features and benefits

- Long lasting, reliable and virtually maintenance free
- Protects against wind uplift, water ingress and general deterioration
- Easy, fast, clean and generally safer mortar free installation
- Allows virtually all weather installation
- Integral internal channel collects and discharges rainwater to the gutter
- Dedicated profiles for new build and refurbishment applications to ensure secure fitting
- Refurbishment profile design avoids lifting slates and battens
- Concealed eaves closer cap allows for guttering if required
- Secure easy push fit joint unions
- Tough yet flexible allows easy manipulation and secure positioning
- Maintains consistently smart appearance
- Isn't affected by building settlement
- Helps prevent entry of large insects, birds and vermin into the roofline
- Meets mechanical fix legislation requirements

Quality

- Helping to meet BS 5534 Code of practice for slating and tiling
- Complies with all other relevant regulations and standards
- Manufactured to BS EN ISO 9001 and BS EN ISO 14001



Dry Fix Continuous Verge System for Slate and Flat Tiles



Dry Fix Continuous Verge System for Slate and Flat Tiles

A continuous verge system that presents a clean flush finish and an effective and virtually maintenance free alternative to wet mortar bedding.

Page 2 of 2

Material and colour choice

- UV protected and colour fast PVC verge and polypropylene ridge and eaves closer caps
- Stainless steel fixing screws
- Supplied in dark grey only

Products in the system

- 3m dry fix continuous verge for new build
- 3m dry fix continuous verge for refurbishment
- Angled ridge (apex) piece supplied with fixing screws
- Eaves closer cap pack (right and left handed units)
- Joint union (connects two verge sections together)

Installation advice

Please refer to our website www.timloc.co.uk for our full recommended installation guidance.

How to order

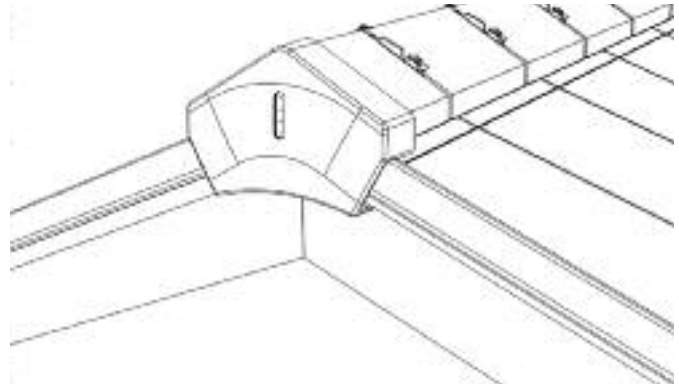
Measure the length of the roof slope in metres and divide by 3 (product length) to identify how many profiles are required.

Ensure that the correct profile type is ordered for the project - new build or refurbishment.

An eaves closer cap must be installed at the beginning of each sloping run of Dry Fix Continuous Verge.

A Dry Fix Continuous Verge angled ridge piece must be installed at the apex of gable roofs.

A joint union is required when joining two Dry Fix Continuous Verge profiles together.



Product codes

Description	Standard pack quantity	Colour	Product code
3m new build dry fix continuous verge for slate/flat tile	4	Dark grey	66101
3m refurbishment dry fix continuous verge for slate/flat tile	4	Dark grey	66105
Dry fix continuous verge for slate angled ridge/apex piece	1	Dark grey	66120
Dry fix continuous verge for slate/flat tile eaves closer cap pack (left and right units)	1 +1	Dark grey	66117
Dry fix continuous verge for slate/flat tile joint union	2	Dark grey	66124